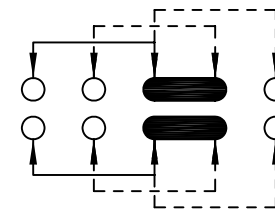
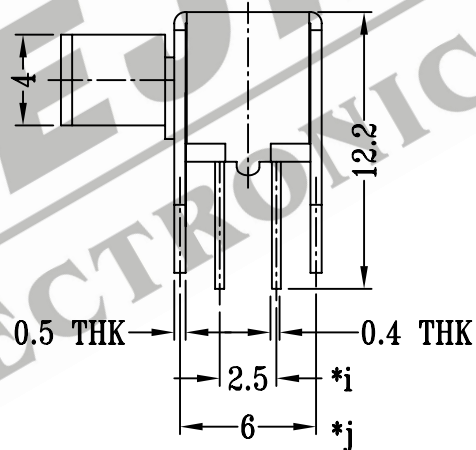
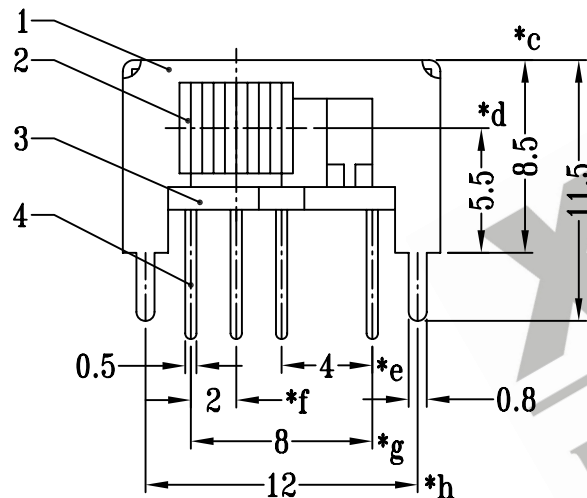
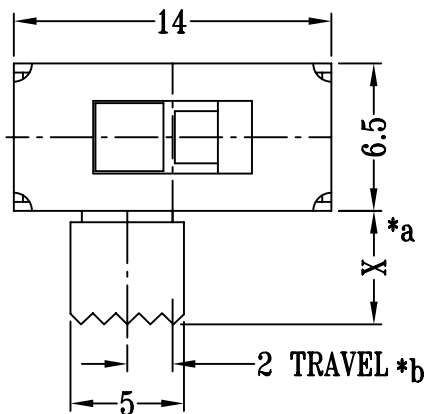
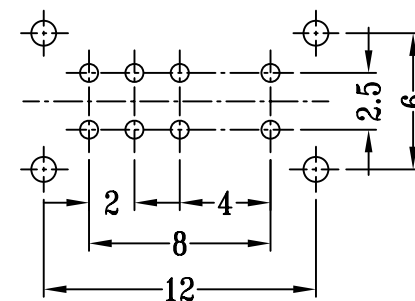


CAD FILE:



SCHMATIC(SHORTING)



P.C.B LAYOUT

注:带"*"表示关键尺寸(10个)

NO.	PARTS	MATERIALS	Q'TY	FINISH	TOLERANCE UNLESS SPECIFIED	SHENZHEN XIEJIA ELECTRONICS CO.,LTD.				
8						TITLE : HORIZONTAL SLIDE SWITCH	UNIT : mm	DRWG NO.: XJ-DR-SK23D09-00		
7	STEEL BALL	STEEL	1	NATURAL						
6	SPRING	STEEL WIRE	1	TEMPER	WITHIN : 1.5±0.1mm	ISSUE	DATE	DESCRIPTIONS OF REVISION		
5	CONTACT CLIP	PBS	2	Ag CLAD	OVER : 1.5±0.2mm			APPD.		
4	TERMINAL	BRASS STRIP	8	Ag PLATED OVER Ni PLATED						
3	BASE	PHENOLIC RESIN	1	NATURAL						
2	KNOB	POM	1	BLACK		MODEL: SK-23D09	SCALE: 3:1	DWN.	ZHOUYU	2007-9-5
1	FRAME	STEEL STRIP	1	Ni PLATED				CHK'D	FANGYING	2007-9-5
					ALL MATERIALS MUST BE COMPLIANT TO ROHS			APPD.	KANGXINAN	2007-9-5